





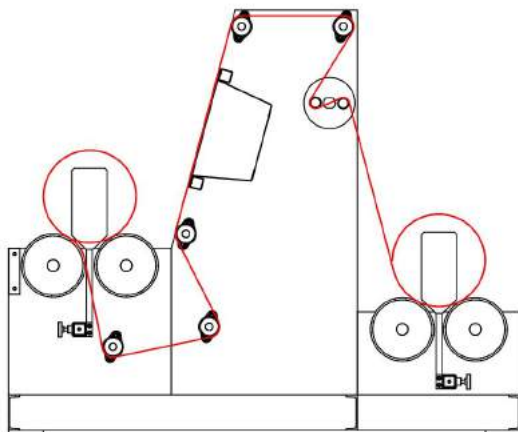
## FEATURES

- Full Width Fabric Inspection
- Variable Speed Control
- Fabric Measuring Device

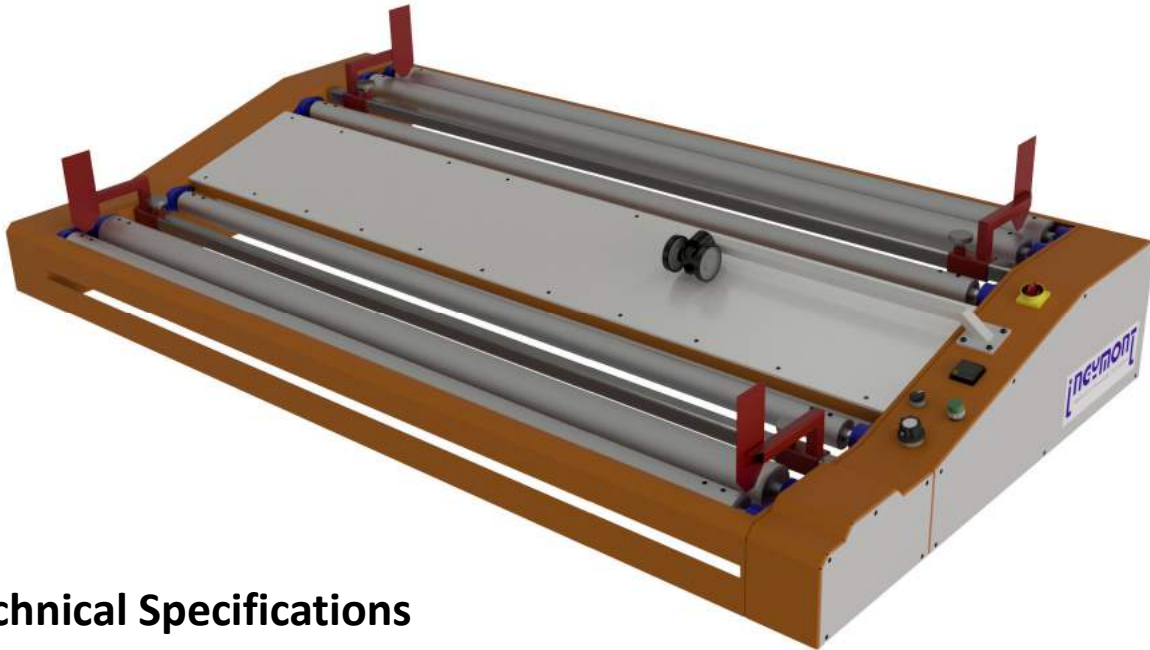
## OPTIONAL

- Auto Alignment System

## Technical Specifications



<b>Model:</b>	<b>IFM-STD 2200</b>
<b>Speed:</b>	0 - 60m/min
<b>Fabric Width:</b>	1000 – 2100 mm
<b>Standard Roll Diameter:</b>	400mm
<b>Dimensions (LxWxH):</b>	2200x3271x1780mm
<b>Weight:</b>	1638 kgs
<b>Electric Specs:</b>	3Phase-220V; 60Hz
Dimensions and Electric Specs can be adjusted to your requirements.	

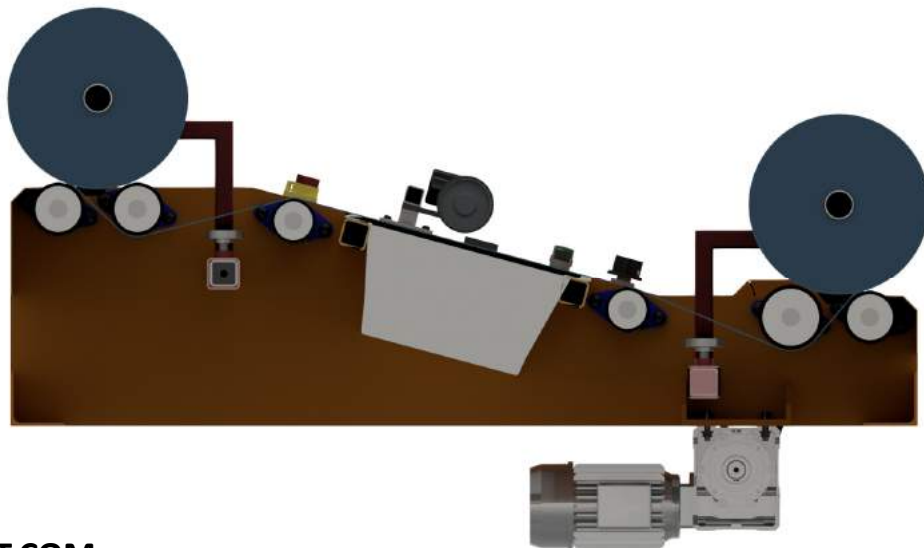


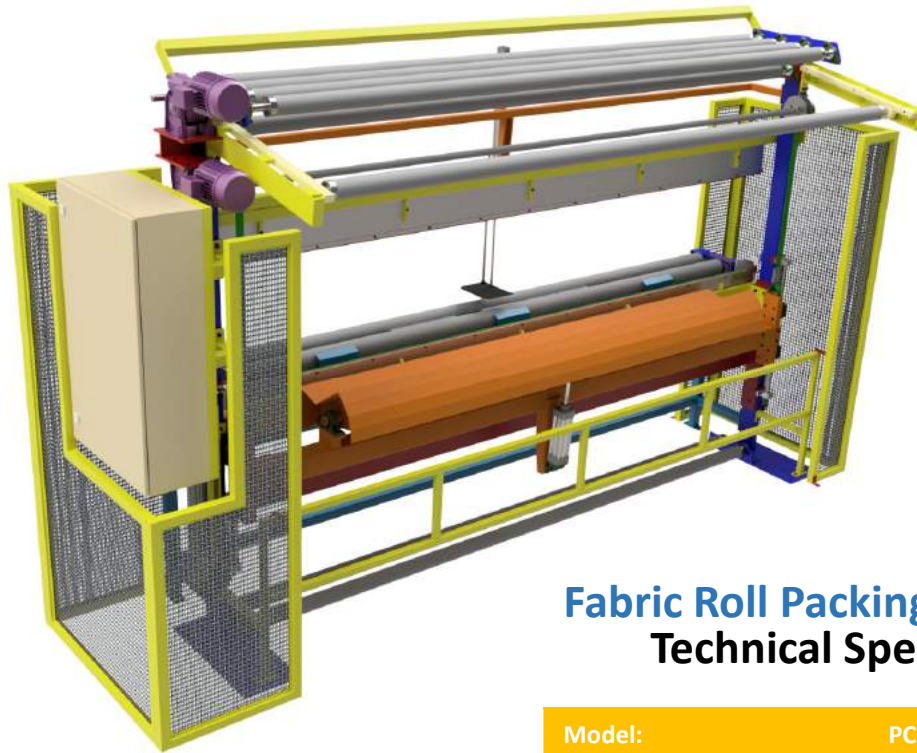
## Technical Specifications

<b>Model:</b>	<b>IM-CMP 1200</b>
Speed:	0 - 60m/min
Fabric Width:	800 – 1200 mm
Standard Roll Diameter:	400mm
Dimensions (LxWxH):	1250x2420x330mm
Weight:	390 kgs
Electric Specs:	3Phase-220V; 60Hz
Dimensions and Electric Specs can be adjusted to your requirements.	

## FEATURES

- Full Width Fabric Inspection
- Variable Speed Control
- Fabric Measuring Device



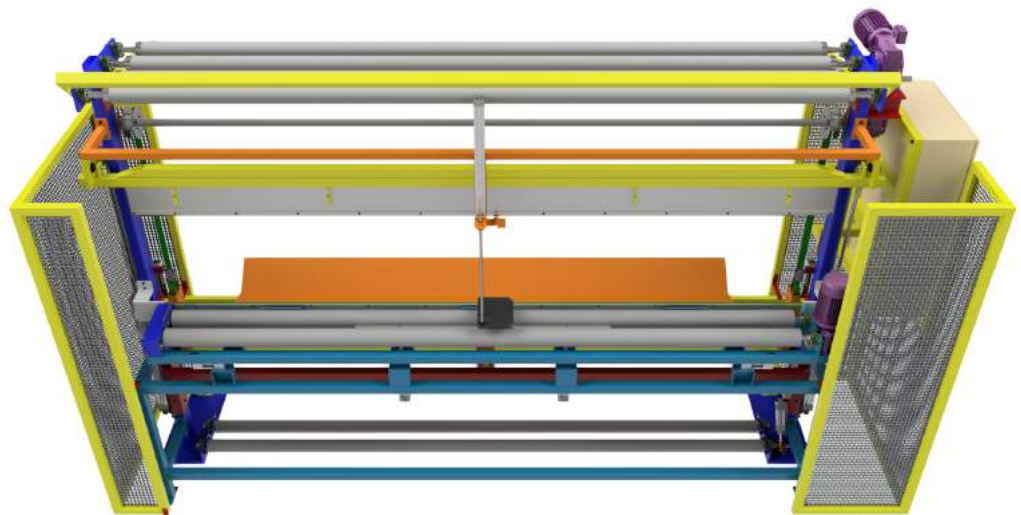


## Fabric Roll Packing Machine Technical Specifications

Model:	PCK-2800
Speed:	0 - 60m/min
Fabric Width:	1200– 2800 mm
Range of Roll Diameter:	200mm – 500mm
Dimensions (LxWxH):	1075x4150x2360
Weight:	1010 kgs
Electric Specs:	3Phase-220V; 60Hz
Dimensions and Electric Specs can be adjusted to your requirements.	

### FEATURES

- Fully customizable Inspection and Packing Lines.
- Width and Diameter are detected to ensure no film wastage during packing
- Weighting System Included
- Packing line can work independently or in conjunction with Fabric Inspection Machines.



# WL-5

## Transport Trolley

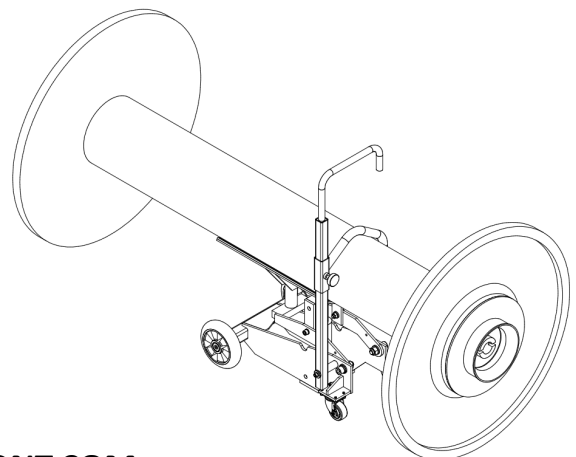
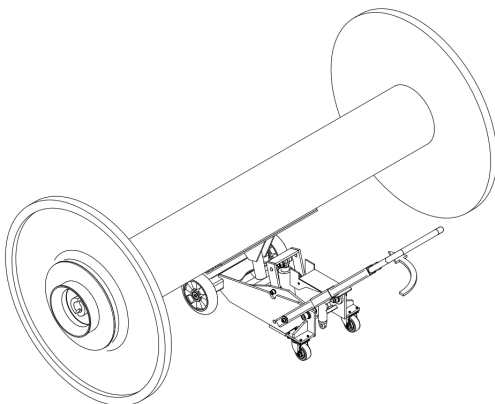
### Empty Beams

#### FEATURES

- Hydraulic Foot Pump for Lifting and Lowering
- Carriage Swivel for warp beam transport
- Easy manoeuvrability
- Clamp securing

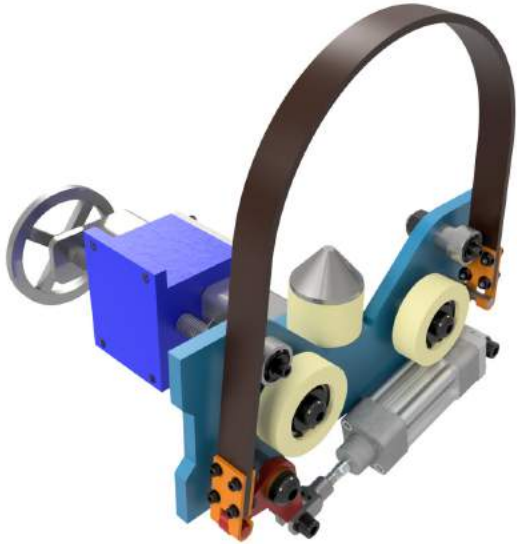


<b>Model:</b>	<b>WL-5</b>
Carrying Capacity:	500 kgs
Warp Beams	Ø700mm – Ø1250mm
Tube Diameter	150-300mm
Dimensions (LxWxH):	1250x2420x330mm
Weight:	60 kgs



# Warp Beam Creel

for Sizing Machine



## FEATURES

- Modular System
- Semi-Automatic Feeding
- Adjustable Bracket
- Pneumatic Bracking System

Warp Beam Creel	
Capacity per Module:	4 Beams
Warp Beams	Ø700mm – Ø1250mm
Dimensions (LxWxH):	2100x2800x2200mm
Weight:	400 kgs



# Plasma Cutting Tables



## Standard and High Definition CNC Plasma Cutter Tables

Plasma tables in sizes **4x4**, **4x8**, and **5x10**  
Hypertherm Powermax from 45 amp to 125 amp available  
Servo control drive motors  
Linear guides and bearings for best accuracy